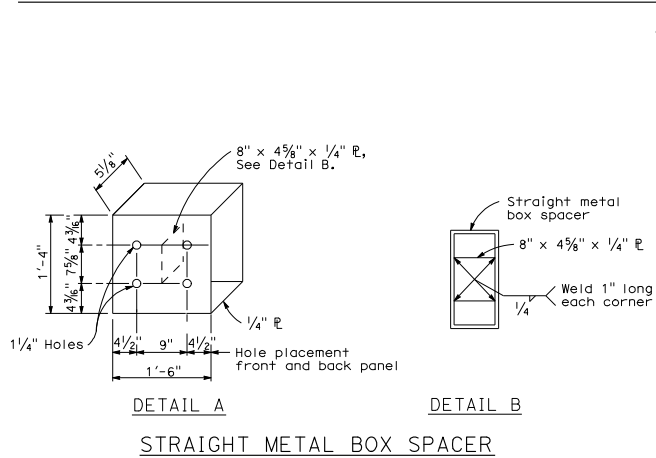


Transition Railing (Type STB)  
See Note 2.

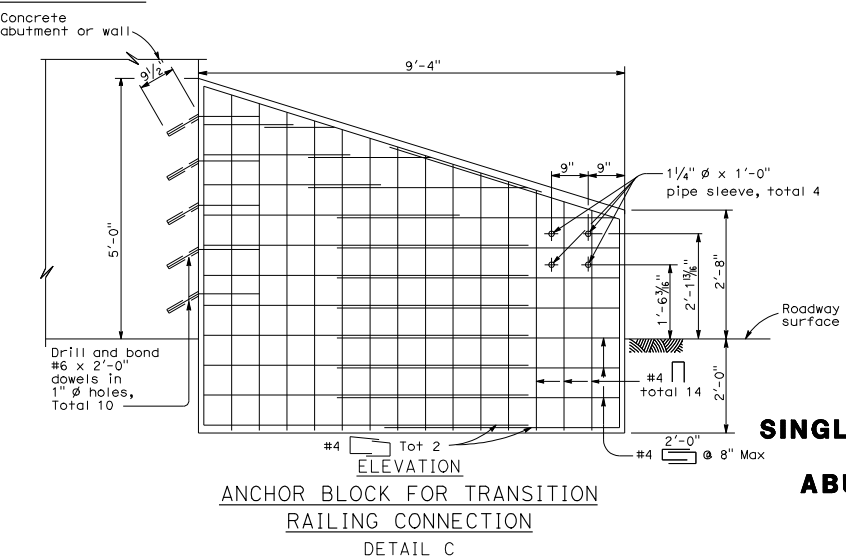
**NOTES:**

1. These connection details apply to concrete abutments and walls. For additional connections details, see Project Plans.
2. For additional details of Transition Railing (Type STB), see Standard Plan A78J. Transition Railing (Type STB) transitions the standard 12 gage single thrie beam barrier to a heavier gage single thrie beam railing section then to a heavier gage nested double thrie beam barrier section which then is connected to the concrete anchor block.
3. For details of End Cap (Type TC), see Standard Plan A78C1.
4. Direction of adjacent traffic indicated by →.

CONNECTION DETAIL 3A  
CONNECTION DETAIL 4A  
ELEVATION  
SINGLE THRIE BEAM BARRIER CONNECTION TO ABUTMENT OR WALL



DETAIL A  
DETAIL B  
STRAIGHT METAL BOX SPACER



ELEVATION  
ANCHOR BLOCK FOR TRANSITION  
RAILING CONNECTION  
DETAIL C

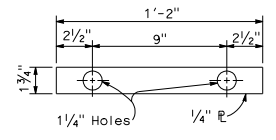


PLATE 'A'

STATE OF CALIFORNIA  
DEPARTMENT OF TRANSPORTATION  
**SINGLE THRIE BEAM BARRIER  
CONNECTIONS TO  
ABUTMENTS AND WALLS**  
NO SCALE

**A78G**

DIST	COUNTY	ROUTE	POST MILES TOTAL PROJECT	SHEET NO.	TOTAL SHEETS

*Randell D. Hiatt*  
REGISTERED CIVIL ENGINEER

May 1, 2006  
PLANS APPROVAL DATE

Exp. 6-30-07  
CIVIL  
STATE OF CALIFORNIA

The State of California or its officers or agents shall not be responsible for the accuracy or completeness of electronic copies of this plan sheet.

To get to the Caltrans web site, go to <http://www.dot.ca.gov>